

# Airpura

AIR PURIFIERS

# T600

Tobacco Smoke

## **Remove the 4000 Chemicals, Tars and Gases found in Tobacco Smoke**

### **The Airpura T600**

Specially designed to deal with tobacco smoke, the T600 features a special TarBarrier pre-filter combined with a deep carbon bed to adsorb the 4000 chemicals and gases found in tobacco smoke.

### **Tobacco smoke**

Contains over 4000 harmful chemicals and gases including benzene, toluene, formaldehyde and at least 60 carcinogens. **The 26lbs Carbon Bed** adsorbs these chemicals.

### **Tar**

Emitted from smoking cigars and cigarettes, it contributes to the transmission of the harmful effects of tobacco smoke. **The TarBarrier filter** traps these tars in the same way as a cigarette filter and removes them from the air stream.

### **ETS (environmental tobacco smoke)**

Recognized as a serious health hazard for non-smokers as well as smokers, the T600 will reduce its harmful effects.

### **Effective for up to 2000 square feet**

Recycles the air every 30 minutes.

### **An excellent choice for:**

Dedicated smoking areas	Homes
Restaurants	Bars
Public spaces	Waiting rooms

### **Suspension brackets available**

To position the unit high on a wall or column.



### **The Airpura T600**

Available in  
White / Black / Cream

The Airpura Limited Warranty  
5 years parts 10 years labor

### **Filter Life**

**Carbon filters** should be changed at least every 3 months in public areas  
**TarBarriers** need to be changed at least every 4 weeks in public areas  
**HEPA Barrier** filters should be changed at the same time as the carbon filter. For private home use change intervals will usually be less frequent

**Clean your air and reduce the dangers of tobacco smoke**

# Airpura

AIR PURIFIERS

# T600

Tobacco Smoke

## Technical Specifications

### Tobacco smoke odor, and chemical control

26 lbs activated carbon  
13" x 13" x 7.5"

### Carbon bed

3" deep x 570 sq" surface

### Tar removal

Special tar-barrier filter  
570 sq in x 1 in deep

### Particle suppression

Post particle filter  
306 sq in

### Air Flow 560 cfm

More cfm than any other compact unit available

### Housing

Powder coated steel

### Size

23" x 15"

### Weight

49 lbs total

### Voltage Options

115 or 220 volts

### Watts

120 on high 40 on low

### Sound Level

28.1 db on low (at 6 feet)  
62.3 db on high (560 cfm)  
(Room level 25.1 db)

### ETL Certified

Conforms to  
CSA C22.2 no 113  
ANSI / UL 507

Your Airpura Dealer

## Specially designed for tobacco smoke

### Large carbon bed

The Airpura T600 features a 26 lb 3 inch deep activated carbon bed specially designed to adsorb the 4000 harmful and carcinogenic chemicals and gases found in tobacco smoke

### TarBarrier filter

Special filter designed to trap the tars in tobacco smoke

### Powerful motor/fan

560 CFM (rated) can recycle the air in up to 2000 sq ft in approximately 30 minutes to keep refreshing the air and remove harmful smoke and odors

### Wall brackets (Optional)

Wall brackets are available to mount the unit in an elevated position

## Filtration System

### TarBarrier pre-filter

Traps tobacco tars. Acts like a cigarette filter

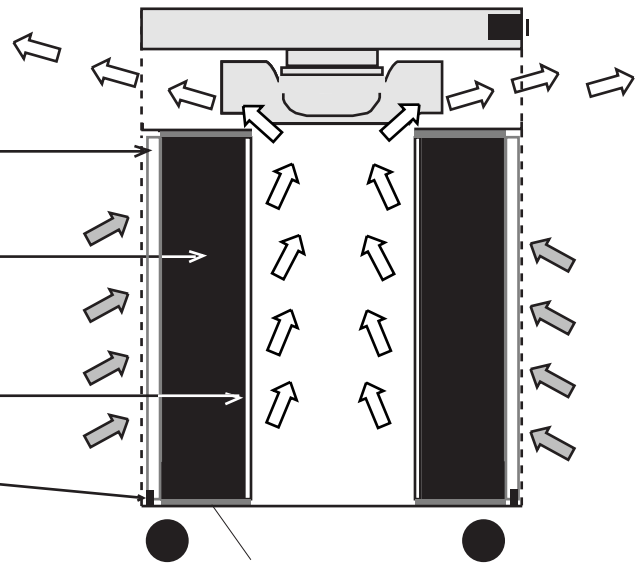
### 26 lb Carbon filter

3" deep carbon bed ensures effective adsorption of the 400 chemicals in tobacco smoke

HEPA-Barrier post filter traps carbon dust and particles

### Unique Pressure seals

ensure integrity of filter chamber



## Unique Features

- **All metal housing** ensures no plastic vapors are emitted
- **Motor out of the air flow.** Most air purifiers blow the clean air over the motor and pick up impurities
- **Electrical parts in a sealed chamber out of the airflow.** Increases safety and prevents off-gassing
- **Pressure sealed filter chamber** prevents leakage of polluted air around filters
- **Felt gaskets seal the filter chamber.** Maximize filtration with no rubber off-gassing found with other filters
- **Clean modern appearance** fits in any decor
- **Low noise level** (at 6 feet) 28.1db on low 62.3db on high (560 cfm)
- **Unimpeded airflow** simple and direct internal airflow avoids the air turbulence, inefficiency and noise associated with more convoluted systems

**Filter out harmful second hand tobacco smoke**